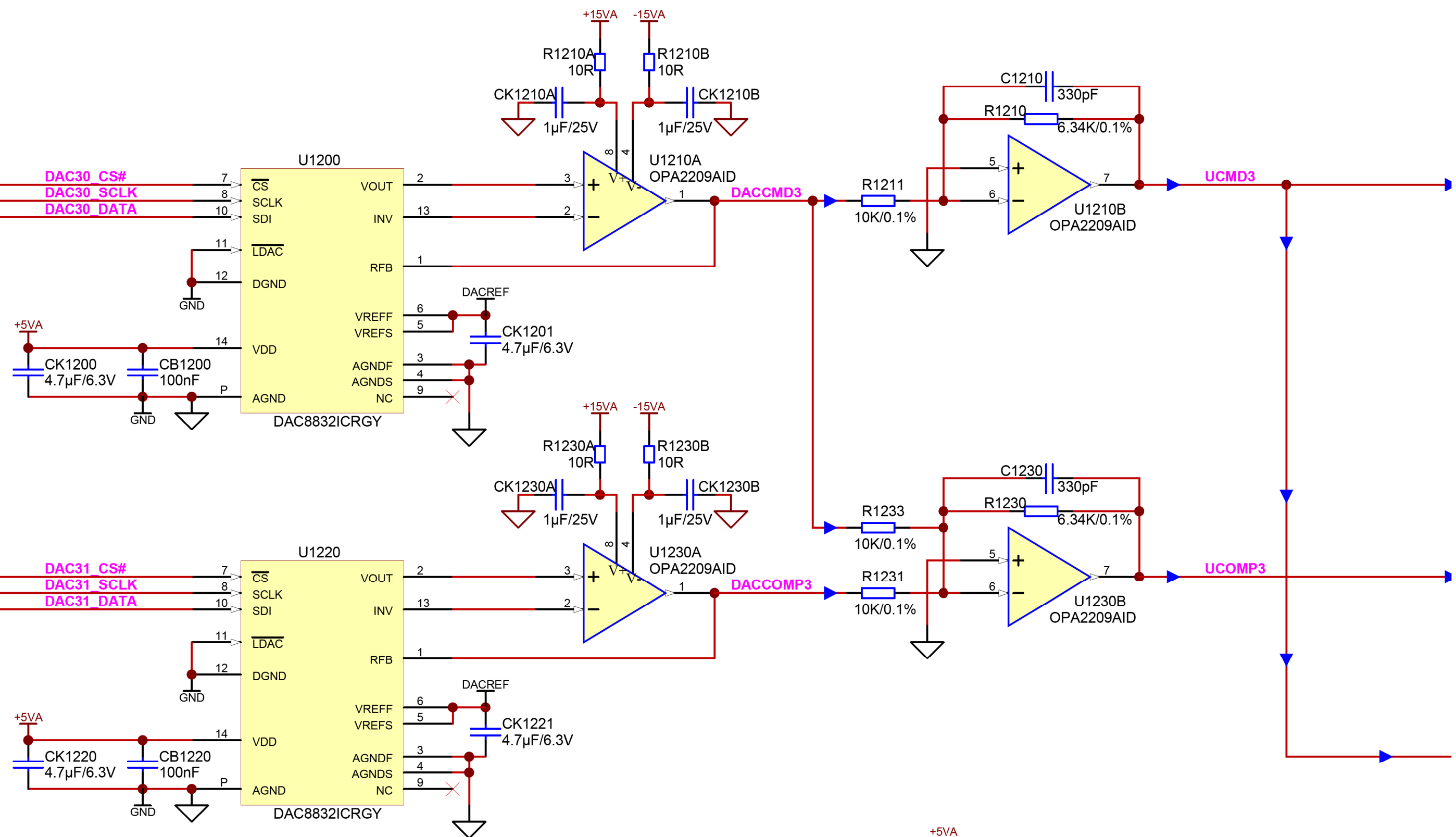


ANALOG-HS[]
HS-I2C[]
SPL_ADC-DAC[]

SPL_ADC-DAC[]



U1240

ADCREF

REF/2

U1250

+5VA

R1250A

10R

V- V+

1µF/6.3V

CK1250A

15VA +15VA